

BK6

BLIND MATE WITH CONICAL CLAMPING RING

15 - 1,500 Nm

PROPERTIES



FEATURES

- ▶ axial mounting possible
- ▶ easy installation and removal
- ▶ naturally very well balanced due to self centering clamping ring system
- ▶ absolutely backlash free assembly

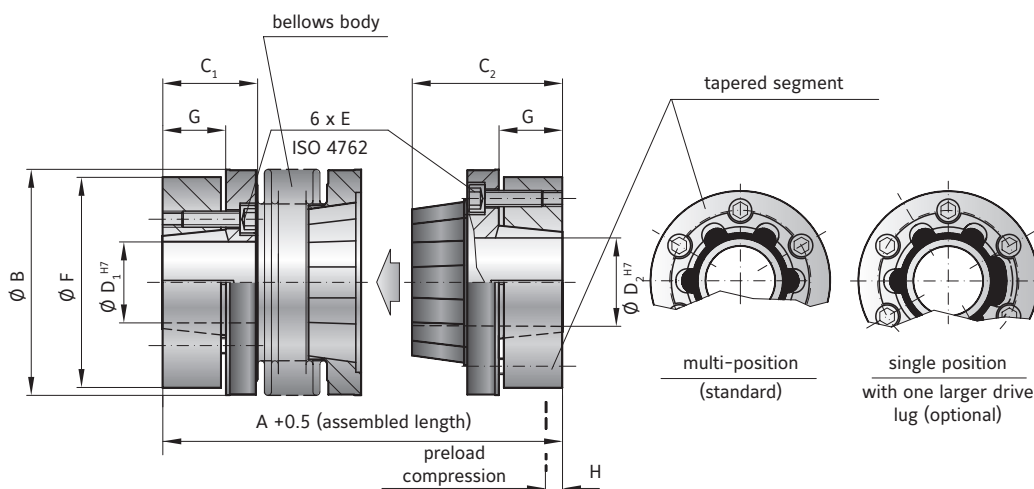
- ▶ **Tapered male segment:** high strength plastic

MATERIAL

- ▶ **Bellows:** high grade stainless steel
- ▶ **Hubs:** steel

DESIGN

Two conical clamping ring hubs, one of which has a tapered male projection for blind mate connection. Brief overloads of up to 1.5x the rated torque are acceptable.



MODEL BK6

SIZE		15	30	60	150	300	500	800	1500
Rated torque (Nm)	T_{KN}	15	30	60	150	300	500	800	1500
Overall length (gesteckt) (mm)	$A^{+0.5}$	58 65	68 76	79 89	97 109	113 127	132 145	140	158
Outside diameter (mm)	B	49	55	66	81	110	124	133	157
Fit length (mm)	C_1	13.3	21.5	17.5	30	37	32	42.5	53
Fit length (mm)	C_2	29	34	39	49.5	59	68	74	90.5
Inside diameter possible from \varnothing to \varnothing H7 (mm)	$D_{1/2}$	10-22	12-24	12-32	15-40	24-56	30-60	40-62	50-75
Fastening screw ISO 4762	E	M4	M5	M5	M6	M8	M8	M10	M12
Tightening torque of the fastening screw (Nm)		3.5	6.5	8	12	30	32	55	110
Diameter of clamping ring (mm)	F	46.5	51	60	74	102	114	126	146
Clamping ring length (mm)	G	9.5	10.5	11.5	17.5	20	23	27	32
Preload compression (mm)	H	0.2 - 1.0	0.5 - 1.0	0.5 - 1.5	0.5 - 1.5	0.5 - 1.5	1.0 - 2.0	1.0 - 2.0	0.5 - 1.5
Axial recovery force at maximum pretensioning (N)		20 12	50 30	70 45	82 52	157 106	140 96	400 650	
Moment of inertia (10^{-3} kgm ²)	J_{ges}	0.1 0.12	0.2 0.25	0.4 0.45	2.0 2.5	5.4 6.1	8.4 9.1	17.5 44	
Approximate weight (kg)		0.3 0.32	0.5 0.52	0.82 0.84	1.6 1.7	4.1 4.2	6.0 6.3	8.1 16.2	
Torsional stiffness (10^3 Nm/rad)	C_T	10 8	20 14	38 28	88 55	225 175	255 245	400 660	
Axial* \pm (mm)	Max. values	0.5 1	0.5 1	0.5 1	1 2	1.5 2	2.5 3.5	3 2	
Lateral \pm (mm)		0.15 0.2	0.2 0.25	0.2 0.25	0.2 0.25	0.25 0.3	0.3 0.35	0.35 0.35	
Angular \pm (degree)		1 1.5	1 1.5	1 1.5	1 1.5	1 1.5	1 1.5	1.5 1.5	
Lateral spring stiffness (N/mm)		C_r	475 137	900 270	1200 420	1550 435	3750 1050	2500 840	2000 3600

* in addition to maximum allowable pretension

Higher torques upon request

ORDERING EXAMPLE	BK6	30	76	18	19	XX
Model	●					
Size		●				
Overall length mm			●			
Bore D1 H7				●		
Bore D2 H7					●	
For custom features place an XX at the end of the part number and describe the special requirements (e.g. BK6 / 30 / 76 / 18 / 19 / XX; XX=finely balanced for 25,000 rpm)						

Special designation only (e.g. special bore tolerance).