

SP3

WITH EXTERNAL CLAMPING RING

60 - 10,000 Nm

NEW



High speed

PROPERTIES

FEATURES

- ▶ very high balancing quality due to symmetrical design
- ▶ high operating speeds
- ▶ extremely smooth running

MATERIAL

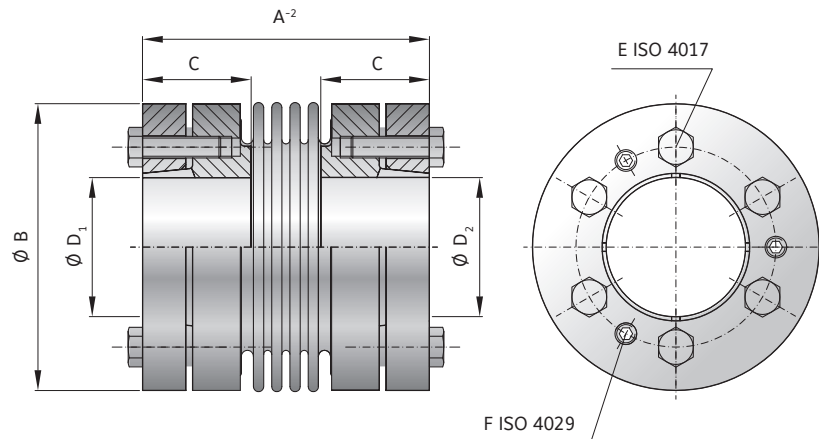
- ▶ **Bellows:** high grade stainless steel
- ▶ **Hubs and clamping ring:** steel

DESIGN

Two precision machined clamping ring hubs mounted concentrically to a flexible bellows. Brief overloads of up to 1.5x the rated torque are acceptable.

FIT CLEARANCE

Overall shaft / hub tolerance 0.01 - 0.025 mm



MODELL SP3

SERIE		60	150	200	300	500	800	1500	4000	6000	10000						
Rated torque (Nm)	T_{KN}	60	150	200	300	500	800	1,500	4,000	6,000	10,000						
Overall length (mm)	A^{-2}	66 76	75 87	76 88	89 103	97 111	117	133	195	250	300						
Outside diameter (mm)	B	66	81	90	110	124	133	157	200	253	300						
Fit length (mm)	C	25	30	32	36	40	40	53	65	86	95						
Inside diameter possible from \emptyset to \emptyset H7 (mm)	D_1/D_2	14-32	18-35	20-42	22-55	25-60	32-60	42-75	50-100	60-140	70-180						
Fastening screw ISO 4017	E	6 x M5	6 x M6	6 x M6	6 x M8	6 x M8	6 x M10	6 x M10	6 x M12	6 x M16	8 x M16						
Tightening torque of the fastening screw (Nm)		8.5	14	14	30	35	50	60	120	260	295						
Jack screw ISO 4017	F	3 x M5	3 x M6	3 x M6	3 x M8	3 x M8	3 x M10	3 x M10	3 x M12	3 x M16	4 x M16						
Moment of inertia (10^{-3} kgm ²)	J_{ges}	0.58 0.60	1.6 1.62	2.42 2.52	6.38 6.56	10.35 10.67	10.9	24.3	107.9	466.2	1187.4						
Approximate weight (kg)		0.9 0.92	1.7 1.8	2.1 2.2	3.52 3.6	4.73 4.83	4.9	7.9	19.0	45.0	80.5						
Torsional stiffness (10^3 Nm/rad)	C_t	76 55	175 110	191 140	450 350	510 500	780	1,304	3,400	5,700	10,950						
Axial \pm (mm)	max. values	1.5	2	2	3	2	3	2.5	3.5	2.5	3.5	3.5	3.5	3.5	3.0	3.0	
Lateral \pm (mm)		0.2	0.25	0.2	0.25	0.25	0.3	0.25	0.3	0.3	0.35	0.35	0.35	0.35	0.4	0.4	0.4
Angular \pm (degree)		1	1.5	1	1.5	1	1.5	1	1.5	1	1.5	1.5	1.5	1.5	1.5	1.5	1.5
Axial spring stiffness (N/mm)	C_a	72	48	82	52	90	60	105	71	70	48	100	320	565	1,030	985	
Lateral spring stiffness (N/mm)	C_l	1,200	420	1,500	435	2,040	610	3750	1,050	2,500	840	2,000	3,600	6,070	19,200	21,800	
Speed standard (min ⁻¹)	n	22,500	16,500	16,500	13,500	12,500	10,000	8,000	6,000	5,000	3,000						

* Recommended fit pairing H7 / k6; H6 / j5 (short spindle); starting at \emptyset 55 G7 / m6

ORDERING EXAMPLE	SP3	150	87	20	32	XX
Model	●					Special designation only (e.g. non-standard bore tolerance)
Size		●				
Overall length mm			●			
Bore D1 H7				●		
Bore D2 H7					●	

For custom features place an XX at the end of the part number and describe the special requirements (e.g. SP3 / 150 / 87 / 20 / 32 / XX)

BELLOWS COUPLINGS BK