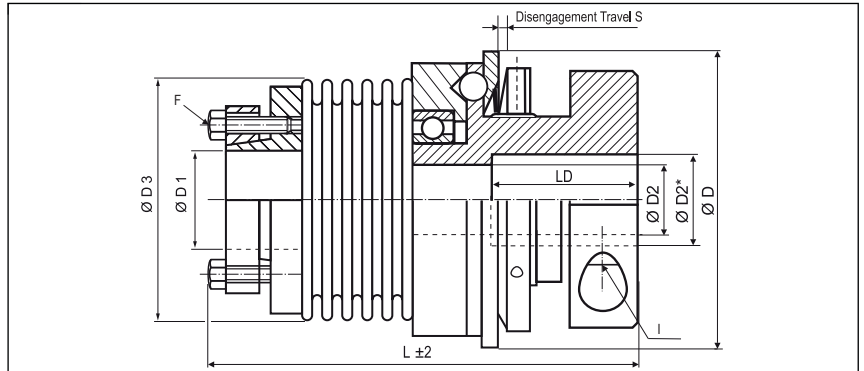


Safety Coupling  
with outer cone and collet clamp

optional  
nickel-plated version  
optional full stainless  
steel version

optional  
laserwelded

# KBK/BAK



**Order Code**

**KBK/BAK - 60 - 115 - 15H7 - 18H7 - 20Nm - C or D - 2**

Type      Size      Length      ØD1 (H7)      ØD2 (H7)      Disengagement Torque      Torque Range  
C = Single Position    D = Multi Position Engagement

Size	Dimensions (mm)								Technical Data										
	Ø D	L	Ø D1	Ø D2	Ø D3	F	S	I	max. speed (1/min)	Mass (kg)	Moment of Inertia J (kg cm <sup>2</sup> )	Torque Range		Spring Stiffness			Misalignment		
	Outer Ø	Length	Bore Size (H7) min~max	Bore Size (H7) min~max	Screw ISO4017 TA (Nm)	Screw ISO4762 TA (Nm)	1 TKN (Nm)	2 TKN (Nm)				torsional x10 <sup>3</sup> CT (Nm/rad)	radial CR (N/mm)	axial CA (N/mm)	radial Δ Kr (mm)	axial Δ Ka (mm)	angular Δ Kw (°)		
-10	49	65	5-14	6-16	40.5	M3	0.7	M4	11650	0.27	0.6	3-7	5-10	8.1	120	27	0.15	0.4	1.5
		74	10#	11#		2.1	5.1	6.8						29	17	0.3	0.6	2	
-30	64	82	12-20	10-20	56	M5	1.2	M6	9540	0.80	3.3	5-15	10-30	38	720	50	0.15	0.6	1.5
		92	14#	14#		5.9	15	28						225	28	0.25	1	2	
-60	79	104	15-32	12-28	66	M5	1.2	M8	8180	1.46	8.9	12-35	20-60	75	1150	90	0.15	0.6	1.5
		115	24#	21#		8.7	36	50						340	50	0.25	1	2	
-80	94	115	20-35	14-35	82	M6	2	M10	6220	3.3	29	15-40	30-80	128	1200	80	0.2	0.5	1.5
		127	37#	37#		15	72	75						400	50	0.25	0.8	2	
-150	94	115	20-35	14-35	82	M6	2	M10	6220	3.3	29	50-130	65-150	155	2020	145	0.2	0.5	1.5
		127	37#	37#		15	72	105						595	85	0.25	0.8	2	
-200	109	122	20-42	22-41	90	M6	2	M12	5720	3.9	46	30-90	80-200	175	2500	147	0.2	0.5	1.5
		135	34#	33#		15	125	116						460	82	0.25	0.8	2	
-300	119	141	25-50	30-50	110	M8	2	M12	5200	5.9	88	60-200	150-300	502	6300	280	0.2	0.5	1.5
		152	41#	41#		25	125	285						1400	145	0.25	0.8	2	
-500	129	163	35-55	35-56	122	M8	2	M12	4470	8.5	151	80-250	200-500	690	7790	100	0.2	0.5	1.5
		175	45#	46#		36	125	320						970	85	0.25	1	2	

<b>Bores</b>	> Ø D2 and ≤ D2* only over LD
<b>Material</b>	outer cone - steel bellows - stainless steel collet clamp - aluminium; from size 80 steel
<b>Keyway</b>	optional acc. DIN 6885 biggest bore marked with a #
<b>Temperature Range</b>	-30 °C ~ 120 °C

<b>Size</b>	2	45	7	10	30	60	80	150	200	300	500
<b>D2*</b>	11	X	20	20	26	31	38	38	X	57	62
<b>LD</b>	15	X	20	20	28	38	34	34	X	42	56