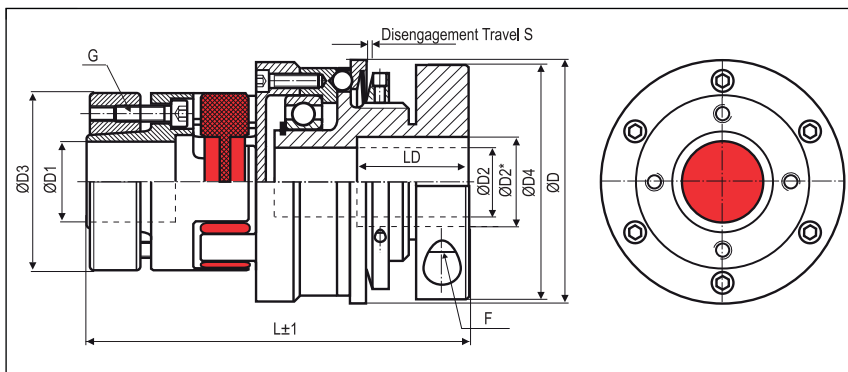


Safety Coupling
with outer cone and collet clamp

optional
nickel-plated version
optional full stainless
steel version

KBK/EAK



Order Code

KBK/EAK - 24 - 126.5 - 16H7 - 14H7 - 20Nm - C or D - 2

Type	Size	Length	ØD1 (H7)	ØD2 (H7)	Disengagement Torque	Torque Range
						C = Single Position D = Multi Position Engagement

Size	Dimensions (mm)										Technical Data								
	Ø D	L	Ø D1	Ø D2	Ø D3	Ø D4	G	F	L1	S	max. speed (1/min)	Mass (kg)	Moment of Inertia J (kg cm²)	Torque 98 Sh TKN (Nm)	Torque Range		Misalignment		
	Outer Ø	Length	Bore Size (H7) min-max	Bore Size (H7) min-max			Screw ISO4762 TA (Nm)	Screw ISO4762 TA (Nm)							1 TKN (Nm)	2 TKN (Nm)	radial Δ Kr (mm)	axial Δ Ka (mm)	angular Δ Kw (°)
-14	49	73	6-14	6-16	30	40.5	M3	M4	32	0.7	11690	0.29	0.7	12.5	3-7	5-10	0.09	+1.0	0.9
		68	10#	11#			1.34	5	27									-0.5	
-19	64	100	10-19	10-20	40	56	M4	M6	41	1.2	8950	0.85	3.5	17	5-15	10-30	0.06	+1.2	0.9
		95	13#	14#			2.9	15	36									-0.5	
-24	79	126.5	15-25	12-28	55	66	M5	M8	50	1.2	7630	1.67	10.2	60	12-35	20-60	0.10	+1.4	0.9
		119.5	18#	21#			6	36	43									-0.5	
-28	94	142	19-38	14-35	65	82	M5	M10	59	2	6030	3.4	30	160	50-130	65-150	0.11	+1.5	0.9
		135	30#	27#			6	72	52									-0.7	
-38	119	160	20-45	30-50	80	110	M6	M12	67	2	4980	6.5	98	325	60-200	150-300	0.12	+1.8	0.9
		151	37#	41#			10	125	58									-0.7	
-42	129	195	28-50	35-56	95	122	M8	M12	76	2	4440	11.5	204	450	80-250	200-500	0.14	+2.0	0.9
		183	41#	46#			35	125	64									-1.0	

Bore	> Ø D2 and ≤ D2* only over LD
Material	collet clamp: aluminium outer cone: steel spider element: polyurethane 98 Sh A (red)
Keyway	optional acc. DIN 6885 biggest bore marked with a #
Temperature Range	-30 °C ~ 90 °C