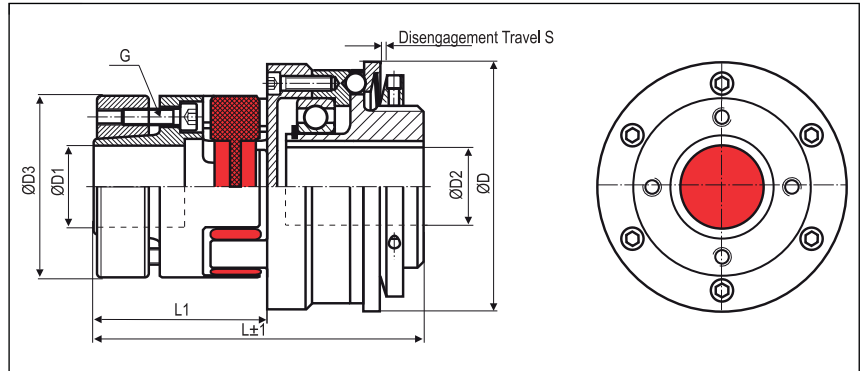


Safety Coupling
with outer cone and keyway

optional
nickel-plated version
optional full stainless
steel version

KBK/EAP



Order Code

KBK/EAP - 24 - 98.5 - 16H7 - N15H7 - 20Nm - C or D - 2

Type	Size	Length	ØD1 (H7)	ØD2 (H7)	Disengagement Torque	Torque Range
						C = Single Position D = Multi Position Engagement

Size	Dimensions (mm)								Technical Data								
	Ø D	L	Ø D1	Ø D2	Ø D3	G	L1	S	max. speed (1/min)	Mass (kg)	Moment of Inertia J (kg cm²)	Torque 98 Sh TKN (Nm)	Torque Range		Misalignment		
	Outer Ø	Length	Bore Size (H7) min-max	Bore Size (H7) min-max		Screw ISO4762 TA (Nm)							1 TKN (Nm)	2 TKN (Nm)	radial Δ Kr (mm)	axial Δ Ka (mm)	angular Δ Kw (°)
-14	49	63	6-14	6-13	30	M3	32	0.7	11690	0.26	0.6	12.5	3-7	5-10	0.09	+1.0	0.9
		58	10#			1.34	27									-0.5	
-19	64	81	10-19	10-16	40	M4	41	1.2	8950	0.71	2.9	17	5-15	10-30	0.06	+1.2	0.9
		76	13#			2.9	36									-0.5	
-24	79	98.5	15-28	15-24	55	M5	50	1.2	7630	1.45	8.9	60	12-35	20-60	0.10	+1.4	0.9
		91.5	18#			6	43									-0.5	
-28	94	121	19-38	19-29	65	M5	59	2	6030	2.4	21	160	50-130	65-150	0.11	+1.5	0.9
		114	30#			6	52									-0.7	
-38	119	135	20-45	20-42	80	M6	67	2	4980	4.6	69	325	60-200	150-300	0.12	+1.8	0.9
		126	37#			10	58									-0.7	
-42	129	157	28-50	20-50	95	M8	76	2	4440	8.9	158	450	80-250	200-500	0.14	+2.0	0.9
		145.5	41#			35	64									-1.0	

Material	collet clamp: aluminium outer cone: steel spider element: polyurethane 98 Sh A (red)
Keyway	optional acc. DIN 6885 biggest bore marked with a #
Temperature Range	-30 °C ~ 90 °C