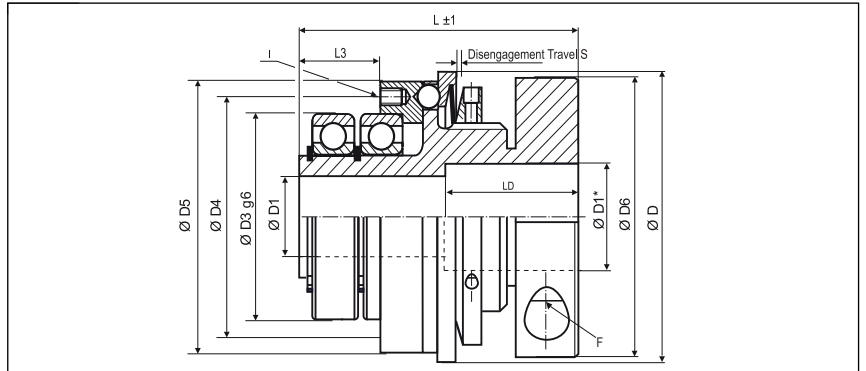


Safety Coupling
with collet clamp and two bearings

optional
nickel-plated version
optional full stainless
steel version

KBK/LLK



Order Code

KBK/LL-K - 60 - 20H7 - 20Nm - C or D - 2

Type Size ØD1 (H7) Disengagement Torque Torque Range
C = Single Position D = Multi Position Engagement

| Size | Dimensions (mm) | | | | | | | | | | | Technical Data | | | | |
|------|-----------------|------------------------|------|------|------|------|--------|----|-----|----|-----------------------------------|------------------------|------------------------|--------------------|-----------|------------------------------|
| | Ø D | Ø D1 | Ø D3 | Ø D4 | Ø D5 | Ø D6 | L | L3 | S | I | F | Torque Range | | max. speed (1/min) | Mass (kg) | Moment of Inertia J (kg cm²) |
| | Outer Ø | Bore Size (H7) min-max | | | | | Length | | | 6x | Screw ISO4762 T _A (Nm) | 1 T _{KN} (Nm) | 2 T _{KN} (Nm) | | | |
| -2 | 29 | 3-8 | 19 | 21 | 25 | 25 | 34 | 7 | 0.7 | M2 | M3 2 | 0.2-1.5 | 0.5-2 | 13200 | 0.07 | 0.06 |
| -4.5 | 36 | 6-13 9# | 26 | 28 | 32 | 32.5 | 37 | 9 | 0.7 | M2 | M4 3.5 | 1-3 | 3-6 | 12300 | 0.13 | 0.22 |
| -7 | 49 | 6-16 11# | 37 | 42 | 47 | 40.5 | 46 | 15 | 0.7 | M3 | M4 4.5 | 1-4 | 3-7 | 12000 | 0.21 | 0.5 |
| -10 | 49 | 6-16 11# | 37 | 42 | 47 | 40.5 | 46 | 15 | 0.7 | M3 | M4 5.1 | 3-7 | 5-10 | 12000 | 0.21 | 0.5 |
| -30 | 64 | 10-20 14# | 47 | 53 | 60 | 56 | 66 | 20 | 1.2 | M4 | M6 15 | 5-15 | 10-30 | 9400 | 0.67 | 2.8 |
| -60 | 79 | 12-28 21# | 62 | 69 | 75 | 66 | 90 | 26 | 1.2 | M5 | M8 36 | 13-35 | 20-65 | 7800 | 1.2 | 7.3 |
| -80 | 94 | 14-35 27# | 68 | 80 | 90 | 82 | 83 | 27 | 2 | M6 | M10 84 | 15-40 | 30-80 | 6400 | 2.7 | 23 |
| -150 | 94 | 14-35 27# | 68 | 80 | 90 | 82 | 83 | 27 | 2 | M6 | M10 84 | 50-130 | 65-150 | 6400 | 2.7 | 23 |
| -200 | 109 | 22-41 33# | 80 | 90 | 105 | 90 | 96 | 28 | 2 | M6 | M12 125 | 30-90 | 80-200 | 5500 | 3.3 | 39 |
| -300 | 119 | 30-50 42# | 90 | 102 | 115 | 110 | 104 | 31 | 2 | M8 | M12 145 | 60-200 | 150-300 | 5000 | 4.9 | 73 |
| -500 | 129 | 35-56 46# | 100 | 112 | 125 | 122 | 113 | 31 | 2 | M8 | M12 145 | 80-250 | 200-500 | 4500 | 7.0 | 125 |

| | |
|-------------------|--|
| Bore | > Ø D1 and ≤ D1* only over LD |
| Keyway | optional acc. DIN 6885 biggest bore marked with a # |
| Temperature Range | -30 °C ~ 120 °C |

| Size | 2 | 4.5 | 7 | 10 | 30 | 60 | 80 | 150 | 200 | 300 | 500 |
|------|----|-----|----|----|----|----|----|-----|-----|-----|-----|
| D1* | 11 | X | 20 | 20 | 26 | 31 | 38 | 38 | X | 57 | 62 |
| LD | 15 | X | 20 | 20 | 28 | 38 | 34 | 34 | X | 42 | 56 |